

This Quick Installation Guide can help you quickly and easily install the Lyric Controller Residential Burglar and Fire Alarm Control Panel by providing the basic steps for installation, using the built-in defaults. Refer to the following documents for additional information, as required.

AlarmNet® Direct Online Help Guide (p/n 800-11248 or higher)

Lyric Controller Installation and Reference Guide (p/n 800-18076 or higher)

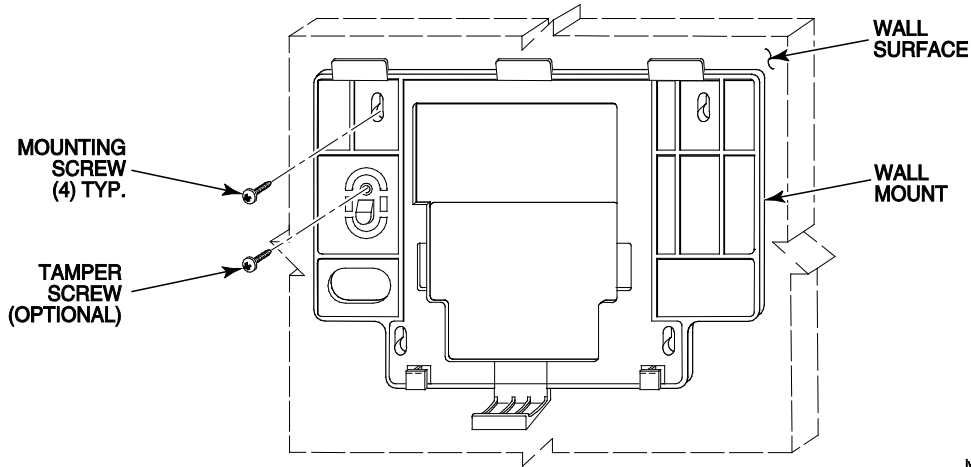
Lyric Controller Programming Guide (p/n 800-18077 or higher)

Lyric Controller User Guide (p/n 800-18078 or higher)

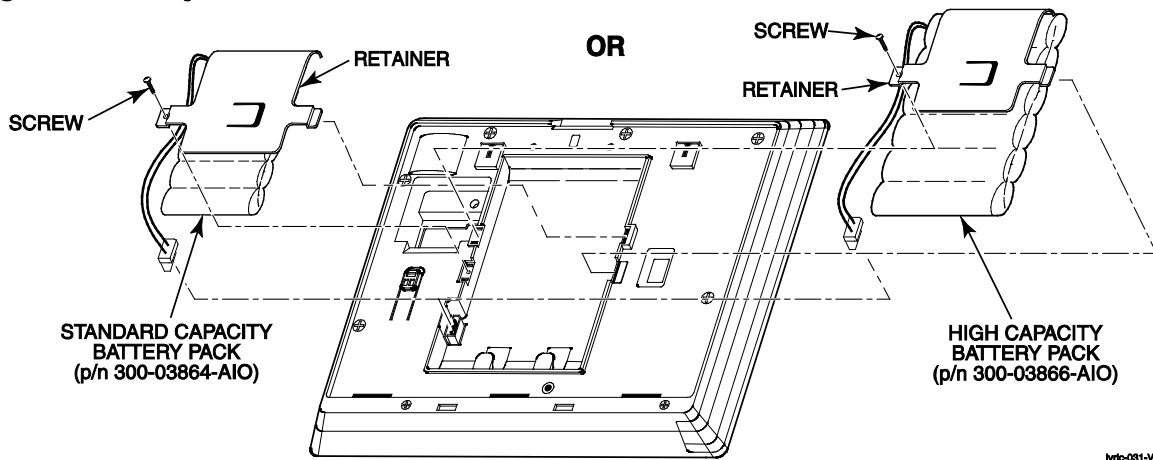
**FOR DOCUMENTATION AND ONLINE SUPPORT:** <https://mywebtech.honeywell.com>.

Copies may also be requested from Honeywell.

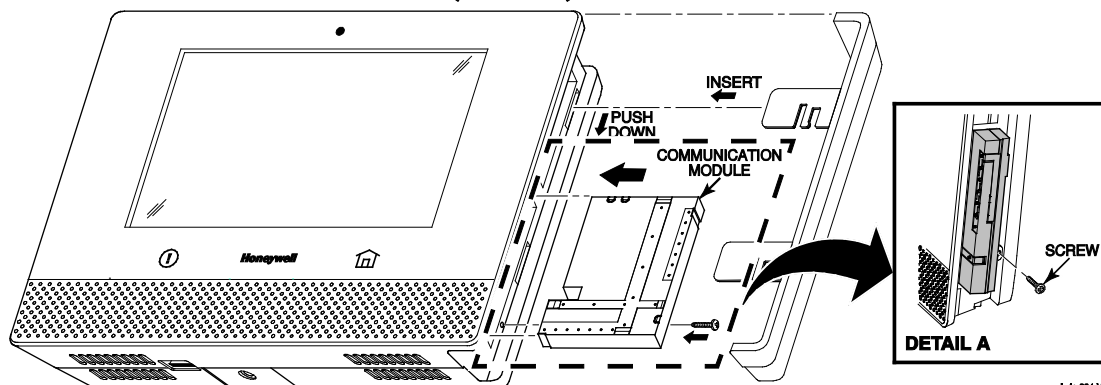
### Mounting the Wall Plate



### Installing the Battery Pack

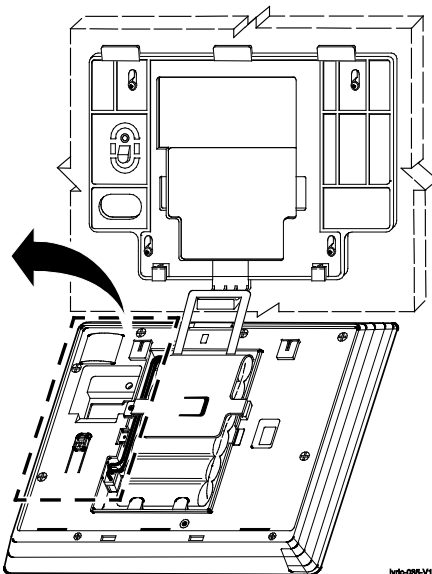
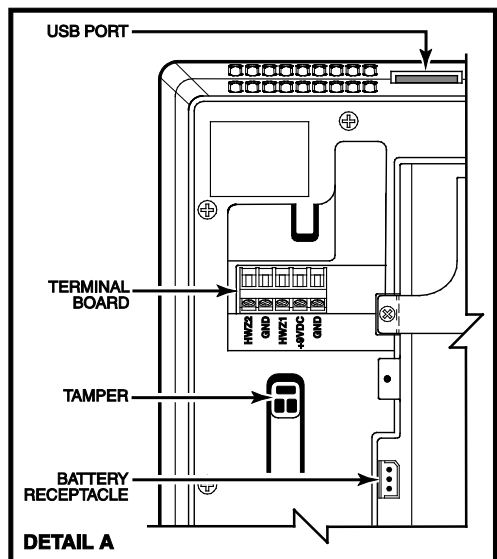


### Installing the Communications Module (If used)



## Making Electrical Connections

- 1) Temporarily hang the controller from the hook on the wall mount.
- 2) If used, connect the hardwire sensors/contacts to the HWZ1/HWZ2 (+) and GND (-) terminals.
- 3) Connect the 110VAC, 60 Hz to 9 VDC, 2.7A Power Supply p/n 300-04705V1 (300-04063V1 Canada) to the 9VDC (+) and GND (-) terminals.
- 4) Connect the battery to the receptacle on the controller.
- 5) Plug the power supply into a 24-hour, 110VAC unswitched outlet. Upon power-up, the "System Standby!" screen will be displayed.



Wiring Table

Maximum Distance Between Power Supply and Controller	Wire Gauge
Up to 8 feet (2.44 m)	# 22
Up to 13 feet (3.96 m)	# 20
Up to 20 feet (6.1 m)	# 18

## Connecting the Controller to the Wi-Fi Network Router

Before the Lyric control can be programmed via Wi-Fi, it must be connected to a WiFi network. The WiFi enrollment screen will be displayed upon boot-up for a defaulted Controller or a Controller that has not been associated with AlarmNet 360. The Lyric Controller communication module can be connected to Wi-Fi by using the WPS mode, scanning access points, or manually. For WPS operation, follow the steps below. Refer to the Lyric Controller User Guide to connect to the Wi-Fi network by Scanning Access Points or Manually.

**IMPORTANT NOTE:** The controller must be connected to the Wi-Fi network through the Master User Tools Menu. The Router Name and Password will be required. Data must be transferred to the module, and it must be registered. Registration can take up to five minutes to complete.

### WPS Operation

- 1) At the Security Screen select the "Tools" icon and enter the Master User Programming Mode (code 1 -2 -3- 4).
- 2) Select the "WiFi Config" icon.
- 3) Press the WPS button on the home router, then select the WPS button on the control.

## Programming the Lyric Controller

The Lyric Controller can be programmed remotely via AlarmNet 360™ using a laptop, smart phone or other internet device. The Controller can also be programmed locally at the panel but must be associated with an AlarmNet 360 account. There are numerous options for programming the Controller, Sensors, Wireless Keys and Keypads and accessories.

### Before you begin

- 1) Log on to the AlarmNet 360™ website (<http://alarmNet360.com>) to Program the Lyric Controller, Sensors and Communications Modules.
- 2) Log in with your User Name and Password. If you are not signed up for this service, click on "Dealer Signup" from the login screen to gain access to the Honeywell web-based programming.

**Dealer Sign-Up Direct Link:** [https://services.alarmnet.com/AlarmNetDirectp\\_signup/Submission\\_Agree.aspx](https://services.alarmnet.com/AlarmNetDirectp_signup/Submission_Agree.aspx)

### Remote Programming

**NOTE:** If the Controller is being programmed remotely via AlarmNet 360™ using Wi-Fi, it must be connected to a Wi-Fi network to enable programming/downloading to take place. Refer to the *Connect the Control to the Wi-Fi Network Router* section.

- 1) Select the "Device Programming" option then select the "Program/Replace Controller button followed by the "Lyric Controller" button and enter the required information.
- 2) When programming is complete select "Sync" to send the information to the control.

### Local Programming

- 1) Apply electrical power by plugging the Power Supply into an unswitched 110VAC wall outlet.
- 2) At the Security Screen select the "Tools" icon and enter the Installer Programming Mode (code 4 -1 -1- 2). Refer to the Lyric Controller Programming Guide for detailed programming information.

## Programming the Lyric Controller (Continued)

### Selecting a Default Configuration

The Lyric Controller is pre-programmed at the factory with a built-in set of default values (Default Configuration 1). Refer to the Programming Default Values section in the Lyric Installation and Reference Guide or the Programming Guide to view the options.

#### Local Programming

- 1) After entering Programming Mode select "Default Config." button.
- 2) Select a Default Configuration.
- 3) Confirm the selection.

### Enrolling Wireless Sensors

The Lyric Controller supports 5800 series and SiX™ Series wireless sensors. The sensors can be enrolled via AlarmNet 360 or Locally at the panel. The Controller supports SiX Series batch learning. Refer to the Installation and Reference Guide for additional information.

#### Local Programming

- 1) After entering Installer Programming Mode Select "Zones" button.
- 2) Select "Add new" OR applicable Zone Number > "Serial Number".
- 3a) **For 5800 Series devices:** Enter Serial Number on the displayed keypad OR Enroll via RF Learning. To enroll the transmitter, activate the device three times (open/close transmissions).
- 3b) **For SiX™ Series devices:** Insert the battery or pull the battery tab, as applicable. Refer to the Quick Installation Guide for each device (or the online Installation Instructions) for additional information.
- 4) Program additional options for sensor being enrolled, as applicable.
- 5) Select "Save".

### Enrolling Wireless Keys

The Lyric Controller supports 5800 series and SiX™ Series wireless key fobs. The wireless keys can be enrolled via AlarmNet 360™ or Locally at the panel.

#### Local Programming

- 1) After entering Programming Mode Select "Keys" button.
- 2) Select "Add new" > "Key Type" and select the applicable wireless key.
- 3) Select the "User" button and select a User to associate with the wireless key.
- 4) Select "Serial Number" button
- 6a) **For 5800 Series keys:** Enter Serial Number on the displayed keypad OR Enroll via RF Learning. To enroll the transmitter, activate the appropriate button three times.
- 6b) **For the SiXFOB:** Press the top two wireless key buttons to start the enrollment process. The left and right LED will flash alternately during pairing. When pairing is complete the green LED is ON steadily for three seconds and the SiXFOB emits a confirmation chirp. The Lyric displays the wireless key's serial number (MAC ID) and three beeps are sounded. Refer to the SiXFOB Quick Installation Guide (or the online Installation Instructions) for additional information.
- 7) Program additional options for the wireless key being enrolled, as applicable.
- 8) Select "Save".

### Enrolling Wireless Keypads

The Lyric Controller supports Lyric Keypads. Up to 8 wireless keypads can be enrolled via AlarmNet 360 or Locally at the panel.

#### Local Programming

- 1) After entering Programming Mode Select "RF Keypad" button from the second page of Installer programming.
- 2) Select "Add new" OR applicable Zone Number > "Serial Number".
- 2) Apply power to the keypad. Allow up to 20 seconds for pairing to be complete.
- 4) When pairing is complete the controller displays the keypad's serial number (MAC ID) and three beeps are sounded. Refer to the Lyric Keypad Quick Installation Guide (or the online Installation Instructions) for additional information.
- 5) Program additional options for keypad being enrolled, as applicable.
- 6) Select "Save".

## Additional Programming Options

### Installing Z-Wave Devices and Programming Smart Scenes

- 1) Install Z-Wave devices including Light Modules, Door locks, Thermostats, etc. Refer to the Lyric Controller User Guide for detailed programming information.
- 2) Smart Scenes are User programmable functions and can be programmed via remote services or locally. Refer to the Lyric Controller User Guide for detailed programming information.

### Adding Cameras

The Lyric Controller supports up to four video cameras. Refer to the Lyric Controller User Guide for procedures to connect cameras.

### Assigning Users

Assign a Master Code and additional User Codes as applicable.

- 1) After entering User Programming Mode Select "Users" > "Add New".
- 2) Add "User Name", "User Code" and enable Z-Wave Lock Control, as applicable.

## Testing the System

### Enter Test mode (Walk Test)

- 1) After entering Installer Tools Menu Mode, select the "Test" button.
- 2) Select "Walk Test". The system enters Walk Test Mode and "Walk Test-Home To Quit" is displayed
- 3) Open each protected door and listen for three beeps from the keypad, followed by the zone's Voice Descriptor. Identification of each faulted protection point should appear on the display, and clear when the door is closed.
- 4) Walk in front of the motion sensor and listen for three beeps and the zone's voice descriptor.
- 5) When testing is complete, select the Home button and enter the Installer Code.
- 6) Press each key on the wireless key to confirm it performs its assigned function.

## Installation Notes

When selecting a location for the Lyric Controller, be sure to provide a separation of at least 10 feet between 2.4GHz devices such as Wi-Fi Routers/Access Points.

### Important Notes About External Antennas

If an external cellular radio antenna is used, the antenna may be installed or replaced ONLY by a professional installer. For the Lyric-3G, the external antenna must not exceed a maximum directional gain (including cable loss) of 3.2 dBi at 850 MHz and 2.3 dBi at 1900 MHz. For the Lyric-CDMA, the external antenna must not exceed a maximum directional gain (including cable loss) of 8.5 dBi at 850 MHz and 4.1 dBi at 1900 MHz.

### RF Exposure Warning

The antenna(s) used for this transmitter must be installed to provide a separation distance of at least 7.8 in (20 cm) from all persons and must not be co-located or operated in conjunction with any other transmitter except in accordance with FCC multi-transmitter product procedures.

### Mise en Garde

**Exposition aux Fréquences Radio:** L'antenne (s) utilisée pour cet émetteur doit être installée à une distance de séparation d'au moins 7,8 pouces (20 cm) de toutes les personnes.

### Lyric™ Lock

This system supports Lyric Lock, an advanced feature designed to keep it functioning optimally. Lyric Lock capabilities include: the ability to interact with Honeywell and your company's network for the setup and programming of system features, support for remote software updates and the ability (when enabled) to enhance the end user's security by preventing unauthorized takeover of the system by another monitoring company. In the event that the end user wishes to authorize another company to take over the system, the end user may request that Honeywell remotely disable Lyric Lock. Honeywell will require documentation that the end user has attempted to contact your company three times and that your company has failed to respond, or failed to agree to the end user's request.

USE OF THESE PRODUCTS IN COMBINATION WITH NON-HONEYWELL PRODUCTS IN A WIRELESS MESH NETWORK, OR TO ACCESS, MONITOR OR CONTROL DEVICES IN A WIRELESS MESH NETWORK VIA THE INTERNET OR ANOTHER EXTERNAL WIDE AREA NETWORK, MAY REQUIRE A SEPARATE LICENSE FROM SIPCO, LLC. FOR MORE INFORMATION, CONTACT SIPCO, LLC OR IPCO, LLC AT 8215 ROSWELL RD., BUILDING 900, SUITE 950, ATLANTA, GA 303350, OR AT [WWW.SIPCOLLCC.COM](http://WWW.SIPCOLLCC.COM) OR [WWW.INTUSIQ.COM](http://WWW.INTUSIQ.COM)

## Federal Communications Commission (FCC) Part 15

The user shall not make any changes or modifications to the equipment unless authorized by the Installation Instructions or User's Manual. Unauthorized changes or modifications could void the user's authority to operate the equipment.

### CLASS B DIGITAL DEVICE STATEMENT

**NOTE:** This equipment has been tested and found to comply with the limits for a Class B digital device, pursuant to part 15 of the FCC Rules. These limits are designed to provide reasonable protection against harmful interference in a residential installation. This equipment generates, uses and can radiate radio frequency energy and, if not installed and used in accordance with the instructions, may cause harmful interference to radio communications. However, there is no guarantee that interference will not occur in a particular installation. If this equipment does cause harmful interference to radio or television reception, which can be determined by turning the equipment off and on, the user is encouraged to try to correct the interference by one or more of the following measures:

- Reorient or relocate the receiving antenna.
- Increase the separation between the equipment and receiver.
- Connect the equipment into an outlet on a circuit different from that to which the receiver is connected.
- Consult the dealer or an experienced radio/TV technician for help.

This Class B digital apparatus complies with Canadian ICES-003.

Cet appareil numérique de la classe B est conforme à la norme NMB-003 du Canada.

### FCC IC Statement

This device complies with Part 15 of FCC Rules and RSS-210 of Industry Canada. Operation is subject to the following two conditions: (1) This device may not cause harmful interference, and (2) This device must accept any interference received, including interference that may cause undesired operation.

Cet appareil est conforme à la partie 15 des règles de la FCC & de RSS-210 des Industries Canada. Son fonctionnement est soumis aux conditions suivantes: (1) Cet appareil ne doit pas causer d'interférences nuisibles. (2) Cet appareil doit accepter toute interférence reçue y compris les interférences causant une réception indésirable.

## SUPPORT & WARRANTY

For the latest documentation and online support information, please go to:  
<https://mywebtech.honeywell.com/>

For the latest warranty information, please go to:  
[www.honeywell.com/security/hsc/resources/wa](http://www.honeywell.com/security/hsc/resources/wa).

For patent information, see [www.honeywell.com/patents](http://www.honeywell.com/patents)



MyWebTech



Warranty



Patents



800-18079V1 11/15 Rev A

# Honeywell

2 Corporate Center Drive, Suite 100  
P.O. Box 9040, Melville, NY 11747  
Copyright © 2015 Honeywell International Inc.

[www.honeywell.com/security](http://www.honeywell.com/security)